

3. Putting into operation



All operating terminals with IDNet interface can be attached to the PTA-line palett scales. The weighing platforms of the T version can be attached to terminals with integrated A/D converter.

Terminal	Color
EXC+ [IN+]	grey
SEN+ [IN-]	yellow
SIG+ [OUT+]	white
SIG- [OUT-]	brown
SEN-	green
EXC-	blue

Connecting Analog (T) Version

4. Technical data PTA459...

4.1 Load cell

Beam load cell

Ignition protection type

II 2G EEx nA IIC T6
II 2D IP68 T 80°C

4.2 Electronic housing

Point ADC

Ignition protection type

II 3G Ex nA II T4; Ex nV II T4
TÜV Nord TÜV 99 ATEX 1445

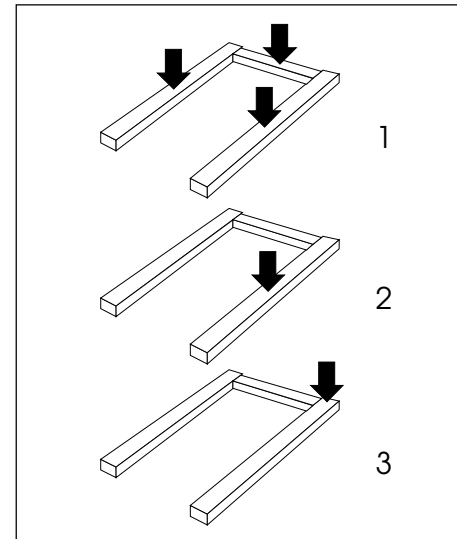
II 3G/D EEX nA II T4
T+50°C IP68
ASEV 00 EX 0494

Analog (T)
passive component

Point Ex

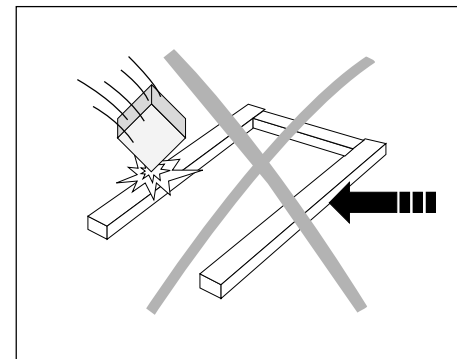
BVS 03 ATEX E 432
II 2G EEx ia IIC T4
II 2D IP68 T 75°C
-20°C ≤ Ta ≤ +60°C

5. Operating limits



- Although the weighing platforms have an extremely rugged construction, certain load limits must not be exceeded.
- Depending on the type of loading, the maximum safe static load, i.e. maximum admissible loading is:

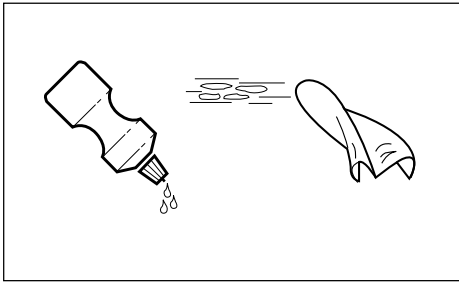
	Last gleichmäßig verteilt (1)	Lateral load placed in the middle (2)	One-sided cornerload (3)
300kg	700 kg	350 kg	185 kg
600kg	1800 kg	900 kg	450 kg
1500kg	3300 kg	1900 kg	950 kg
3000kg	3300 kg	1900 kg	950 kg



- Falling loads, shocks and lateral impacts must be avoided.
- The load forks of the fork-lift truck must not touch the frame parts of the scale in weighing operation.

6. Cleaning the weighing platform

Maintenance of the weighing platform is restricted to regular cleaning. The procedure depends on the ambient conditions prevailing at the location.

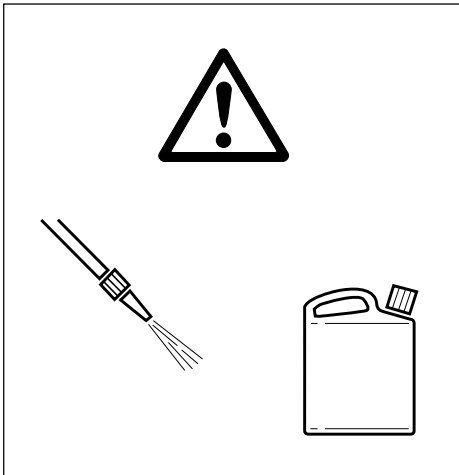


Cleaning the exterior in dry surroundings

Wipe with a damp cloth, usual household cleaning agents.

Cleaning agents

Use disinfectants and cleaning agents only in accordance with the producer's instructions.



Cleaning the exterior in wet surroundings

- Water jet.
- Usual household cleaning agents.

Cleaning the exterior in corrosive surroundings

- It is essential to remove corrosion-initiating substances at regular intervals.
- Use disinfectants and cleaning agents only in accordance with the producer's instructions and stipulations.
- Water jet up to 60 °C.
- Possibly after-treatment with OKS 371 universal oil.

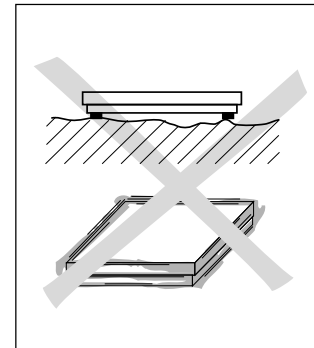
1. Cautionary notes

PTA455...

- Never operate in hazardous areas!

PTA459...

- The explosion-protected weighing platform is approved for operation in hazardous areas (see technical data). There is an increased danger of injuries and damage when using the weighing platform in hazardous areas! Exercise particular care when using in such areas. The rules for behavior are based on the concept of " Safe Distribution" established by METTLER TOLEDO.



Selection of the location

- The foundation at the installation site must be capable of safely supporting the weight of the scale at the support points when it carries the maximum load. At the same time, it should be so stable that no vibrations occur during weighing operations. These requirements also apply if the weighing platform is integrated in conveying systems and the like.
- Ensure the vibrations due to machines near the installation site are kept to a minimum.

Ambient conditions for the PTA455...

- Use weighing platform in a dry environment.

Ambient conditions for the PTA459...

- Weighing platform can be used in a dry or wet environment.

Using PTA459...-platforms in hazardous areas, please note additionally the operating instructions "Explosion proof Weighing system 00704516".

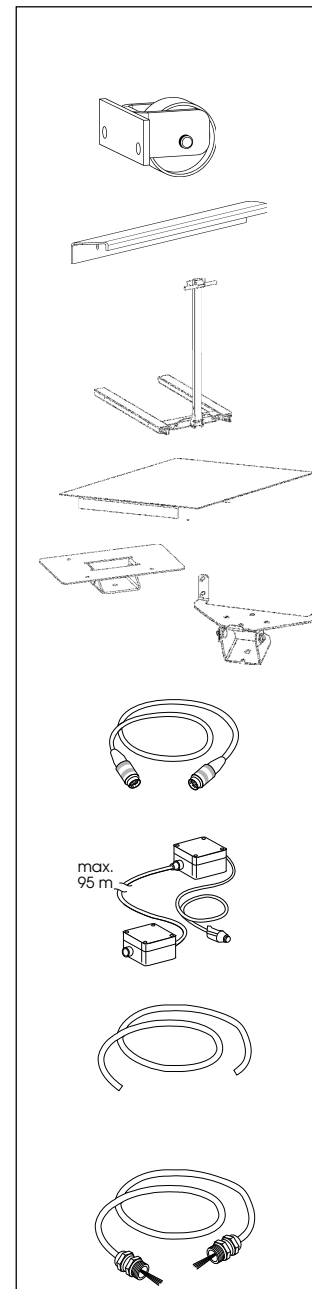
2. Equipotential bonding

PTA459...

The equipotential bonding must be installed by a professional electrician when using the weighing platform in Zones 1/2 and 21/22. METTLER TOLEDO Service only has a monitoring and consulting here.

=> Connect equipotential bonding (PA) of all devices (weighing platform and service terminal) in accordance with the country-specific regulations and standards. In the process, make sure that all device housings are connected to the same potential via the PA terminals.

7. Optional equipment



General optional equipment

The optional equipment is supplied only in chrome-nickel steel.

Wheel set, complete

Wheel set, Ex, complete

Extension, complete

Battery holder, Ex

Shaft, complete

Load plate, complete

Holder ID, complete

Holder IND4...

Optional equipment

PTA...300/600/1500/3000

Connection cable extension length 10 m, connectors at both ends. For remote location of terminal

Cable adapter kit, comprising two junction boxes for extending connection cable up to 100 m. Box at terminal end with connection cable of length 2.5 m.

Special cable on reel, used with cable adapter kit for extension of connection cable to required length.

Optional equipment

PTA...300T/600T/1500T/3000T

Connection cable analog, length 10 m, both ends prepared for remote location of the terminal with integrated A/D converter.

Order No.

00505635

00505636

00505634

00505640

00505637

00505633

22012196

22012213

00504134

00504133

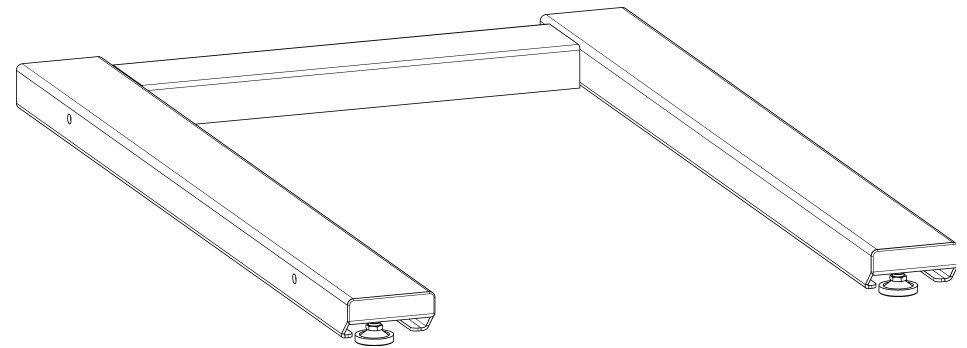
00504177

00204555

Operating instructions

**METTLER TOLEDO MultiRange
Pallet scales
PTA45.. line**

METTLER TOLEDO



22012487

Subject of technical changes © Mettler-Toledo (Albstadt) GmbH 11/04 Printed in Germany 22012487A

Mettler-Toledo (Albstadt) GmbH

D-72458 Albstadt

Tel. ++49-7431-14 0, Fax ++49-7431-14 232

Internet: <http://www.mt.com>