

Cost-Effective Weighing Terminal No Compromise in Performance



High visibility display

40mm character height display with white backlight for good readability under varying light conditions; Intuitive icons on display provide enhanced operational status indication.



Fast and easy to operate

Rugged membrane keypad with seven keys includes two definable function keys; Simply and easily define the function keys in seconds and switch the application mode via a single keypress; Simple configuration via clearly defined menu navigation keys.



Flexible application

Flexible battery option provides for use in mobile weighing applications; In addition to the standard RS232 port, an additional connectivity option can be added; Standard application software includes basic weighing, Over/Under checkweighing, simple counting, animal weighing and accumulation.



Reliable performance

High resolution and fast stabilizing time provide greater weighing precision and a fast weight reading; IP66/67 environmental protection (IND236) provides protection in harsh environments.



Increase operator productivity

IND231 and IND236 are suitable for a variety of general purpose transaction weighing applications. Applications such as Over/Under checkweighing with ten stored targets, counting with average piece weight enhancement, animal weighing and accumulation are provided. Pre-defined application specific print templates including date and time provide transaction records. The terminal can also function as remote display for many METTLER TOLEDO industrial weighing terminals.

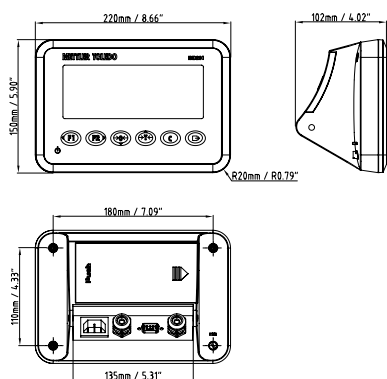
IND231 and IND236 Terminal



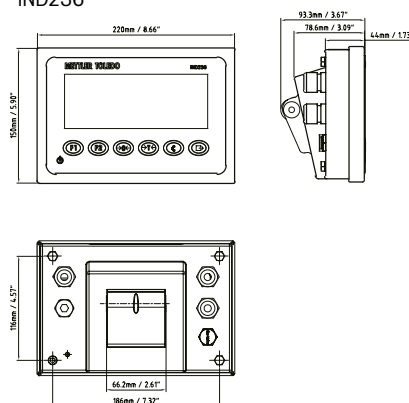
Terminal	IND231	IND236
Dimensions (WxHxD)	220 x 150 x 102mm / 8.66 x 5.90 x 4.02 (inch)	220 x 150 x 93.3mm / 8.66 x 5.90 x 3.67 (inch)
Construction	Plastic	Stainless Steel
Mounting	Mounting to wall, desk or column via included adjustable angle mounting bracket	
Power	AC: 85-264VAC; 50Hz-60Hz	
	Six"AA"size battery or Ni-MH rechargeable battery	Ni-MH rechargeable battery
Operating Environment	-10°C to +40°C (14°F to 104°F), 10% to 95% relative humidity, non-condensing	
Protection	IP54	IP66/IP67
Display	40mm height weight display, seven digits seven segment LCD with white backlight	
Scale Interface	one analog scale	
Load Cell	Up to 4 350ohm load cells, 5V excitation	
Units of Measure	g, kg, lb, oz	
Keypad	Seven function keys: Zero, Tare, Clear, On/Off, Print, F1 & F2 (definable)	
Communication Options	Standard: COM1 RS232	
	Option: COM2 isolated RS232/RS422/RS485	
	COM2 USB device COM2 2 input/ 4 output Discrete I/O	
Application	Basic weighing, X10, Date & Time, Animal weighing, Counting with APW enhancement, Over/Under checkweighing with 10 records database, Accumulation, Remote display	
Approvals	Class III: OIML6000e, NTEP10,000d, CMC6000e, CE, cULus	
Accessories	desk bracket; terminal protection cover	

Dimensions (mm/inch)

IND231



IND236



www.mt.com/IND231-IND236

For more information

METTLER TOLEDO Group

Industrial Division

Local contact: www.mt.com/contacts

Subject to technical changes

©01/2021 METTLER TOLEDO. All rights reserved

Document No. 30077542 B

MarCom Industrial

